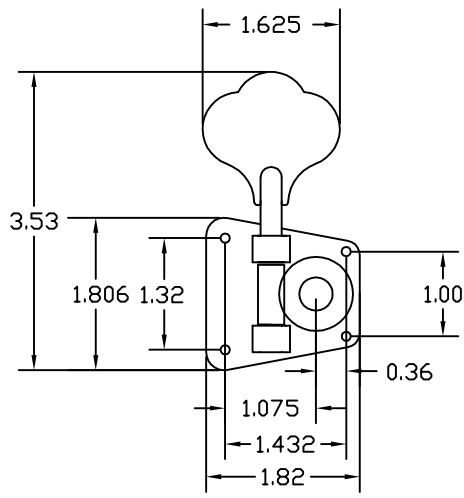
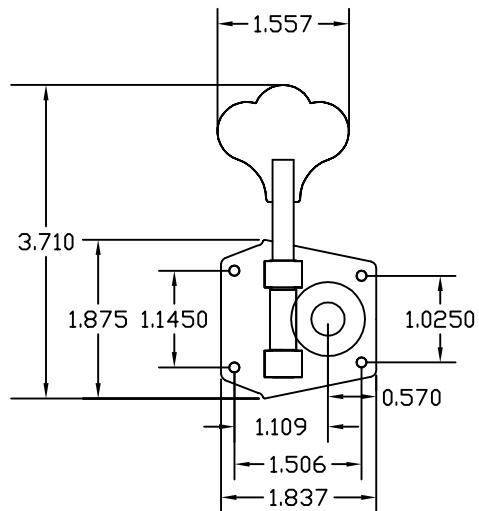


HB1



HB2



HB3